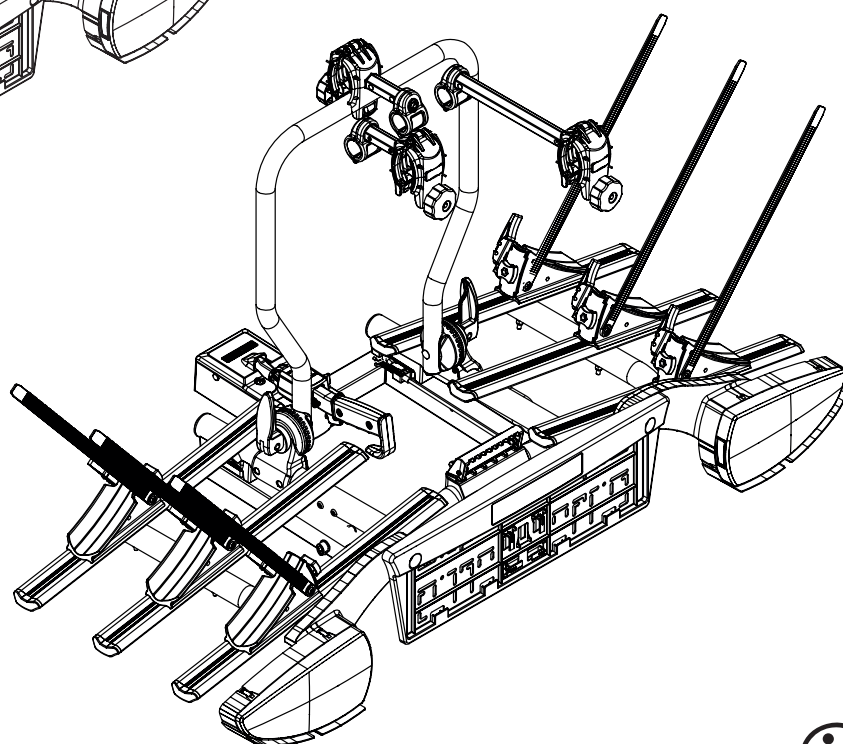
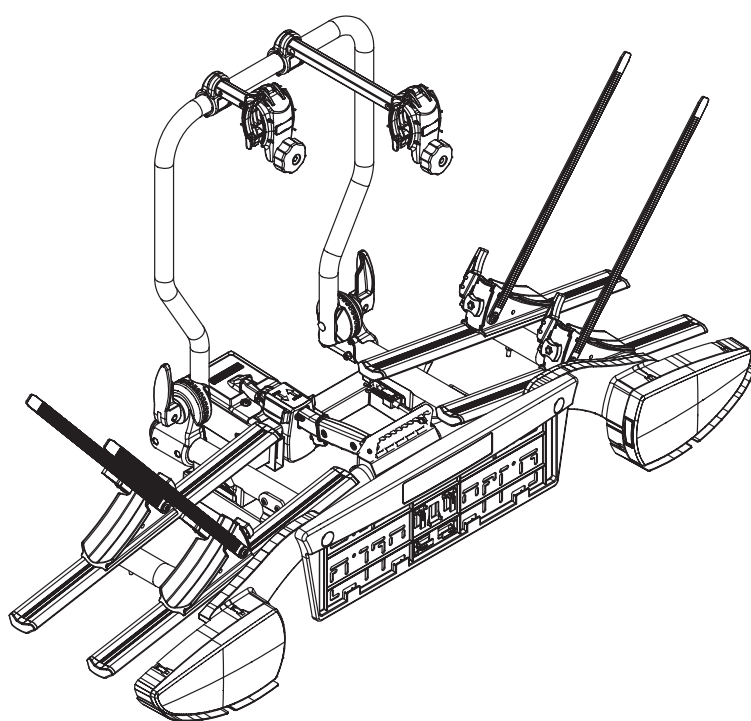


MENABO

SIRIO

SIRIO^{PLUS}

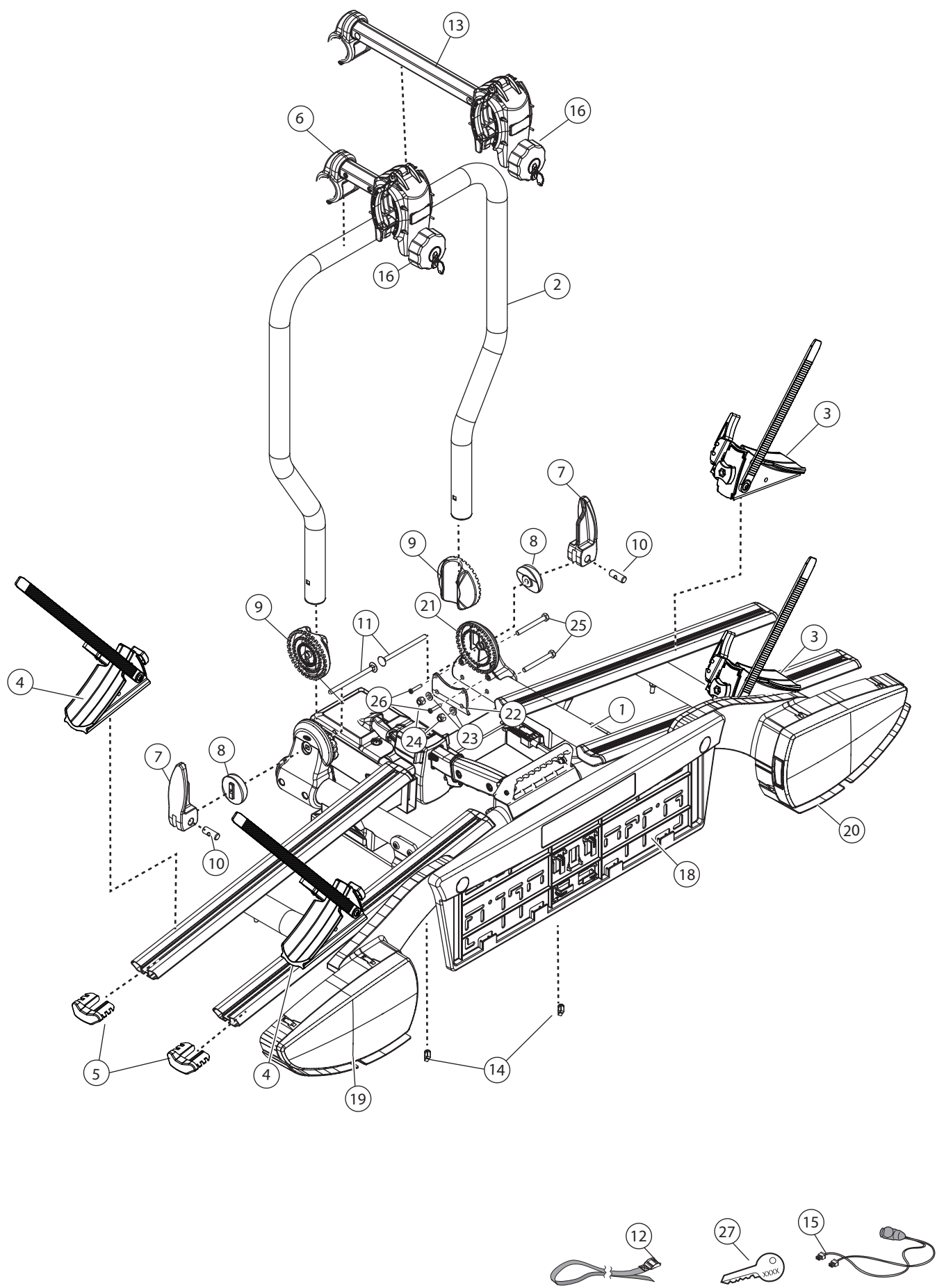
| | | | |
|------------|-----------------------------|----------------|--------------------------|
| I | Istruzioni per il montaggio | RU | Инструкции по установке |
| GB | Fitting instructions | CZ | Návod na montáž |
| D | Montageanleitung | SK | Návod na montáž |
| F | Instructions de montage | SLO | Navodila za pritrjevanje |
| E | Instrucciones de montaje | HR | Uputa za sastavljanje |
| NL | Montage-instructies | HU | A felszerelés módja |
| PT | Instruções de Montagem | GR | Οδηγίες συναρμολόγησης |
| S | Monteringsanvisning | DK | Monteringsvejledning |
| FIN | Asennusohje | RO | Instrucțiuni de montare |
| EST | Paigaldusjuhend | TK | Uydurma talimat |
| LAT | Stiprināšanas instrukcija | N | Monteringsveiledning |
| LIT | Pritvirtinimo instrukcijos | 中文 | 裝修指導 |
| PL | Instrukcja montażu | العربية | تعليمات التجميع |



**SIRIO**

| N | Componenti (Inclusi) Components (Included) Composants (Comprises) Die Komponenten (im Lieferumfang enthalten) Componentes (Incluido) Компоненты (в комплекте) | Q |
|----------|--|----------|
| 1 | | 1 |
| 2 | | 1 |
| 3 | | 2 |
| 4 | | 2 |
| 5 | | 6 |
| 6 | | 1 |
| 7 | | 2 |
| 8 | | 2 |
| 9 | | 2 |
| 10 | | 2 |
| 11 | | 2 |
| 12 | | 1 |
| 13 | | 1 |
| 14 | | 2 |
| 15 | | 1 |
| 16 | | 2 |

| N | Ricambi (A Richiesta) Spare Parts (Made to order) Pièces de rechange (Sur commande) Piezas de recambio (Previa solicitud) Teile (auf Anfrage) Запасные части (по запросу) | Q | CODICE CODE CODE CÓDIGO CODE КОД |
|----------|--|----------|----------------------------------|
| 3 | | 1 | 700027900000 |
| 4 | | 1 | |
| 5 | | 2 | 700027100000 |
| 6 | | 1 | 700003200000 |
| 7 | | 1 | 700021600000 |
| 10 | | 1 | |
| 8 | | 2 | 700023100000 |
| 9 | | 2 | 700007000000 |
| 12 | | 1 | 700001100000 |
| 13 | | 1 | 700003100000 |
| 14 | | 2 | 700024000000 |
| 15 | | 1 | 700023900000 |
| 16 | | 1 | 700010900000 |
| 18 | | 1 | 700021200000 |
| 19 | | 1 | 700022000000 |
| 20 | | 1 | 700023800000 |
| 21 | | 1 | 700013700000 |
| 22 | | 1 | |
| 23 | | 2 | |
| 24 | | 2 | |
| 25 | | 2 | |
| 26 | | 2 | |
| 27 | | 2 | |

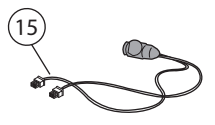
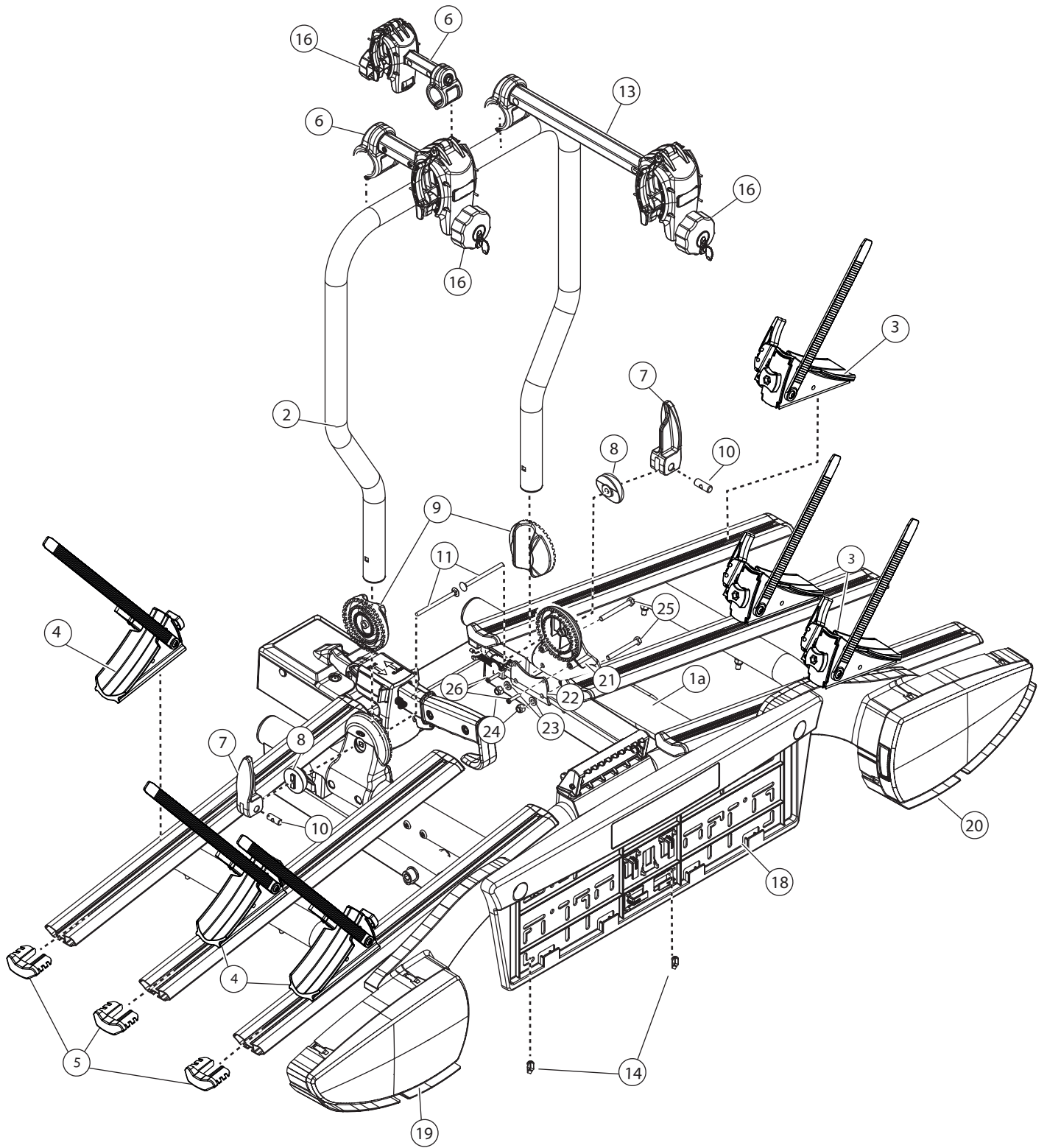




SIRIO plus

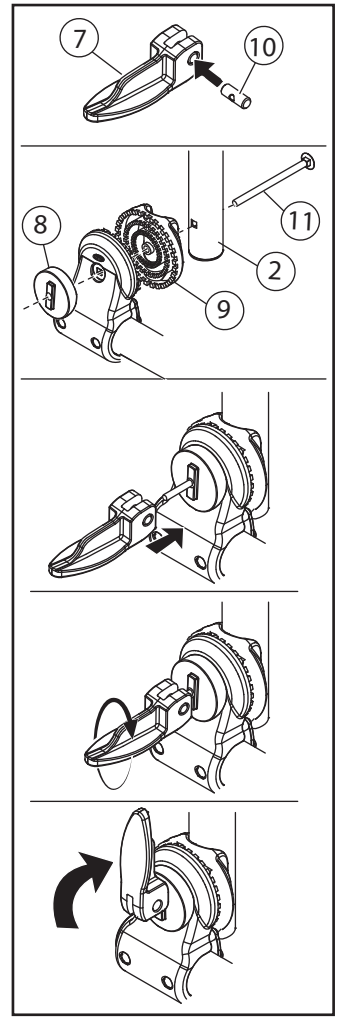
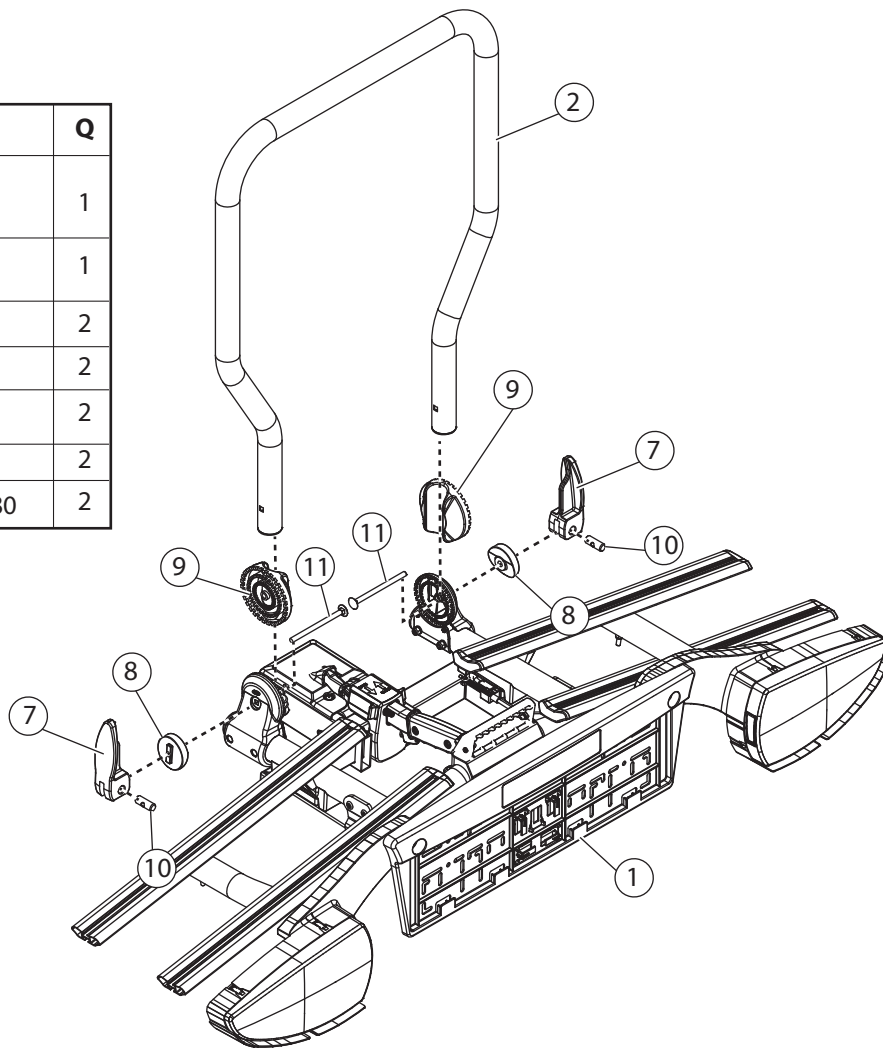
| N | Componenti (Inclusi) Components (Included) Composants (Comprises) Die Komponenten (im Lieferumfang enthalten) Componentes (Incluido) Компоненты (в комплекте) | Q |
|----|--|----|
| 1a | | 1 |
| 2 | | 1 |
| 3 | | 3 |
| 4 | | 3 |
| 5 | | 10 |
| 6 | | 2 |
| 7 | | 2 |
| 8 | | 2 |
| 9 | | 2 |
| 10 | | 2 |
| 11 | | 2 |
| 12 | | 2 |
| 13 | | 1 |
| 14 | | 2 |
| 15 | | 1 |
| 16 | | 3 |
| 17 | | 1 |

| N | Ricambi (A Richiesta) Spare Parts (Made to order) Pièces de rechange (Sur commande) Piezas de recambio (Previa solicitud) Teile (auf Anfrage) Запасные части (по запросу) | Q | CODICE CODE CODE CÓDIGO CODE КОД |
|----|--|---|----------------------------------|
| 3 | | 1 | 700027900000 |
| 4 | | 1 | |
| 5 | | 2 | 700027100000 |
| 6 | | 1 | 700003200000 |
| 7 | | 1 | 700021600000 |
| 10 | | 1 | |
| 8 | | 2 | 700023100000 |
| 9 | | 2 | 700007000000 |
| 12 | | 1 | 700001100000 |
| 13 | | 1 | 700003100000 |
| 14 | | 2 | 700024000000 |
| 15 | | 1 | 700023900000 |
| 16 | | 1 | 700010900000 |
| 17 | | 1 | 700004700000 |
| 18 | | 1 | 700021200000 |
| 19 | | 1 | 700022000000 |
| 20 | | 1 | 700023800000 |
| 21 | | 1 | 700013700000 |
| 22 | | 1 | |
| 23 | | 2 | |
| 24 | | 2 | |
| 25 | | 2 | |
| 26 | | 2 | |
| 27 | | 2 | 700010300000 |



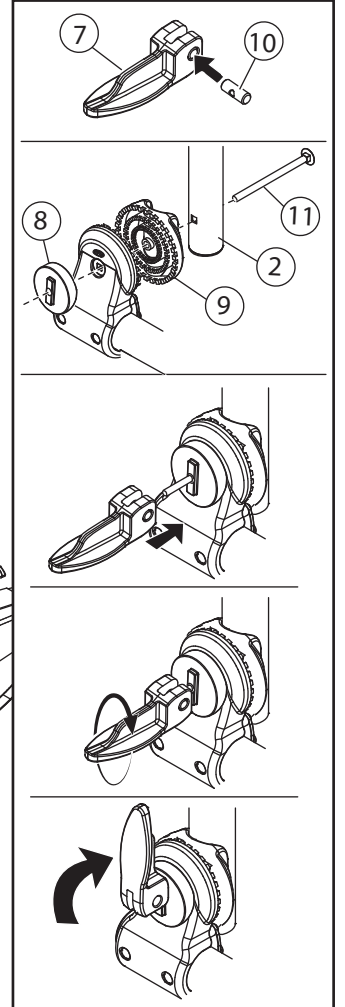
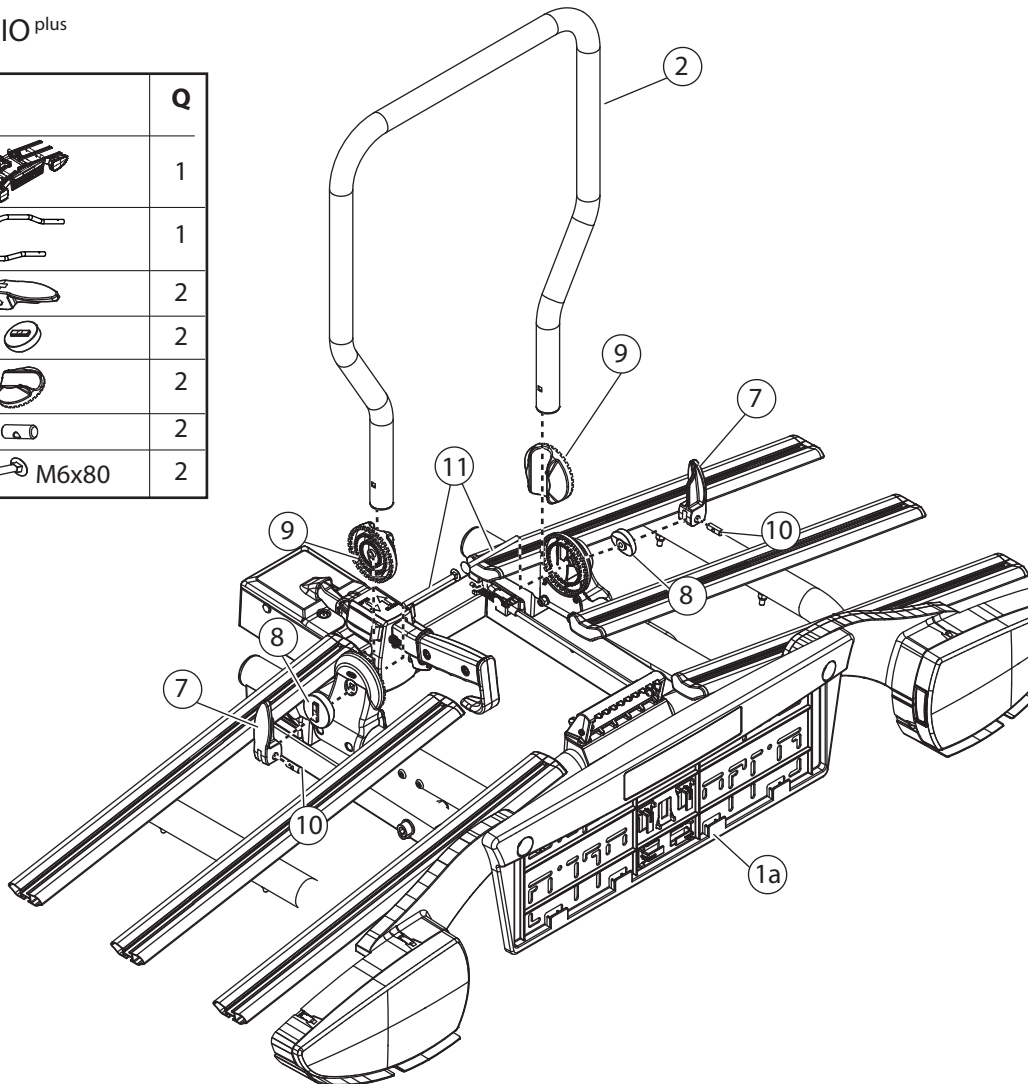
1 ● SIRIO

| N | | Q |
|----|--|---|
| 1 | | 1 |
| 2 | | 1 |
| 7 | | 2 |
| 8 | | 2 |
| 9 | | 2 |
| 10 | | 2 |
| 11 | | 2 |





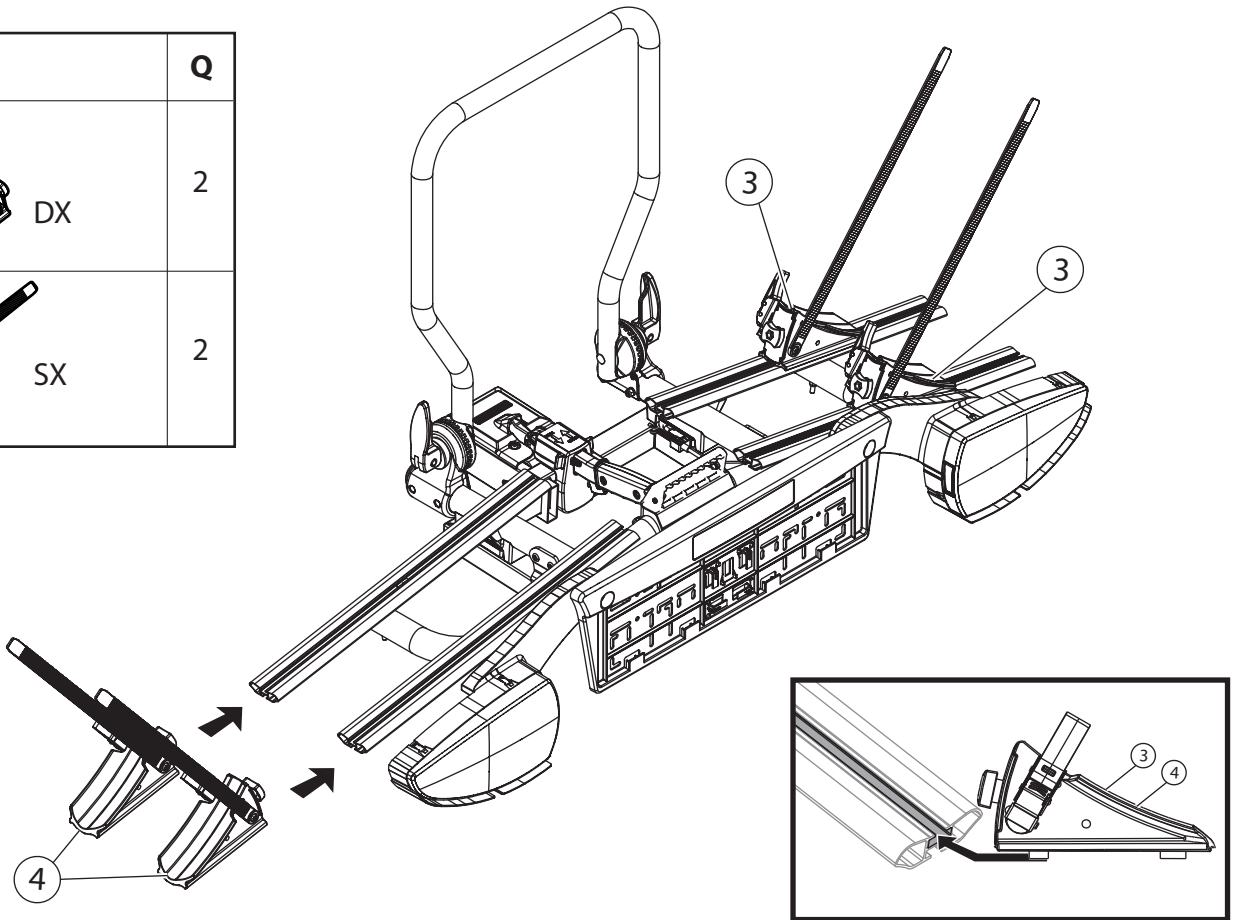
2 ●● SIRIO plus

| N | | Q |
|----|--|---|
| 1a | | 1 |
| 2 | | 1 |
| 7 | | 2 |
| 8 | | 2 |
| 9 | | 2 |
| 10 | | 2 |
| 11 | | 2 |


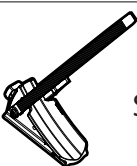


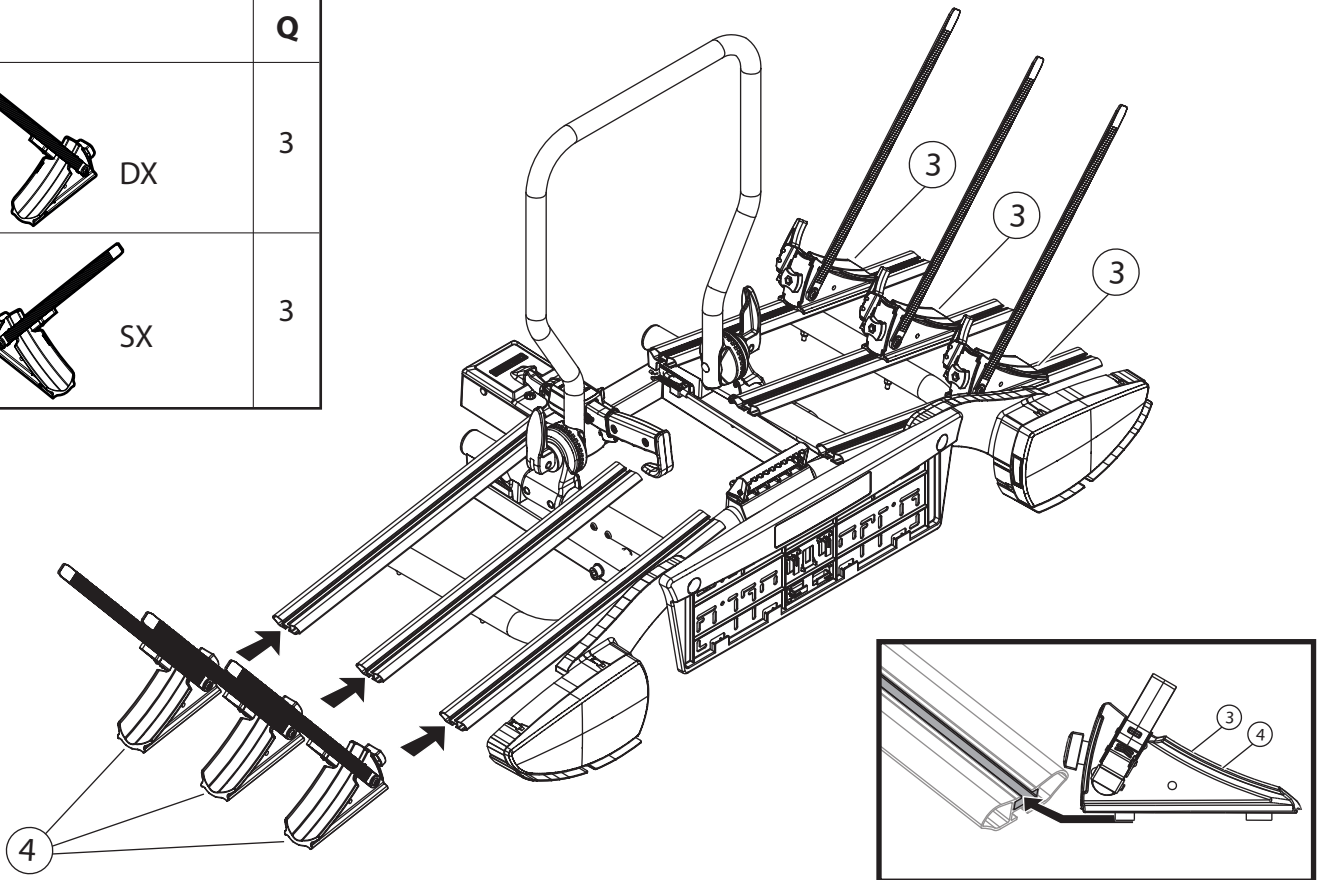
3 ● SIRIO

| N | | Q |
|---|--|---|
| 3 |  DX | 2 |
| 4 |  SX | 2 |



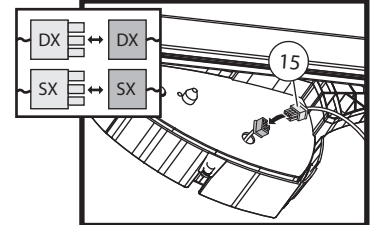
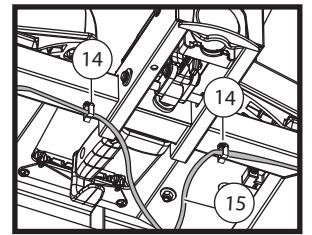
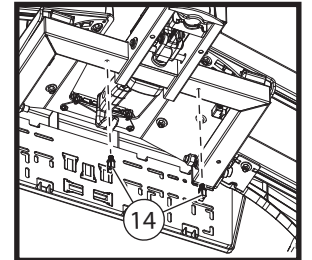
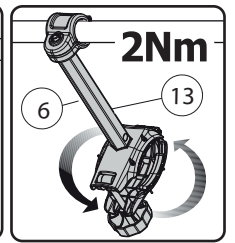
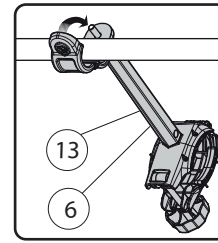
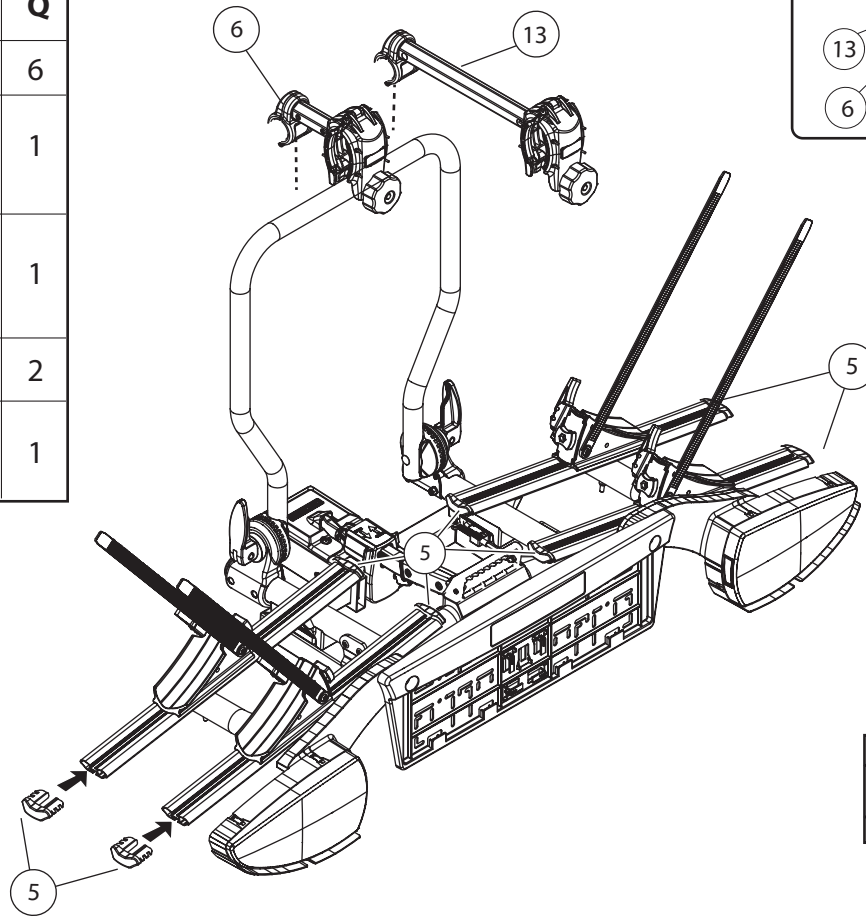
4 ●● SIRIO plus

| N | | Q |
|---|--|---|
| 3 |  DX | 3 |
| 4 |  SX | 3 |



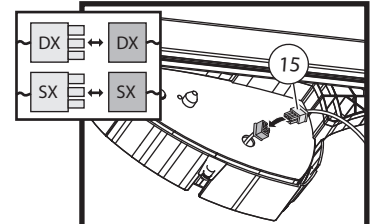
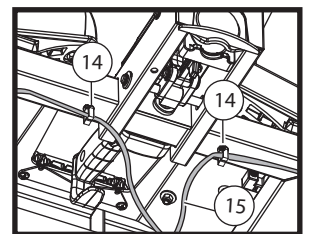
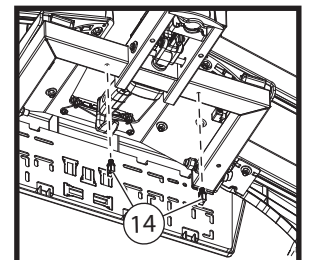
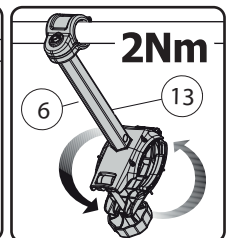
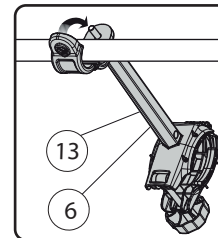
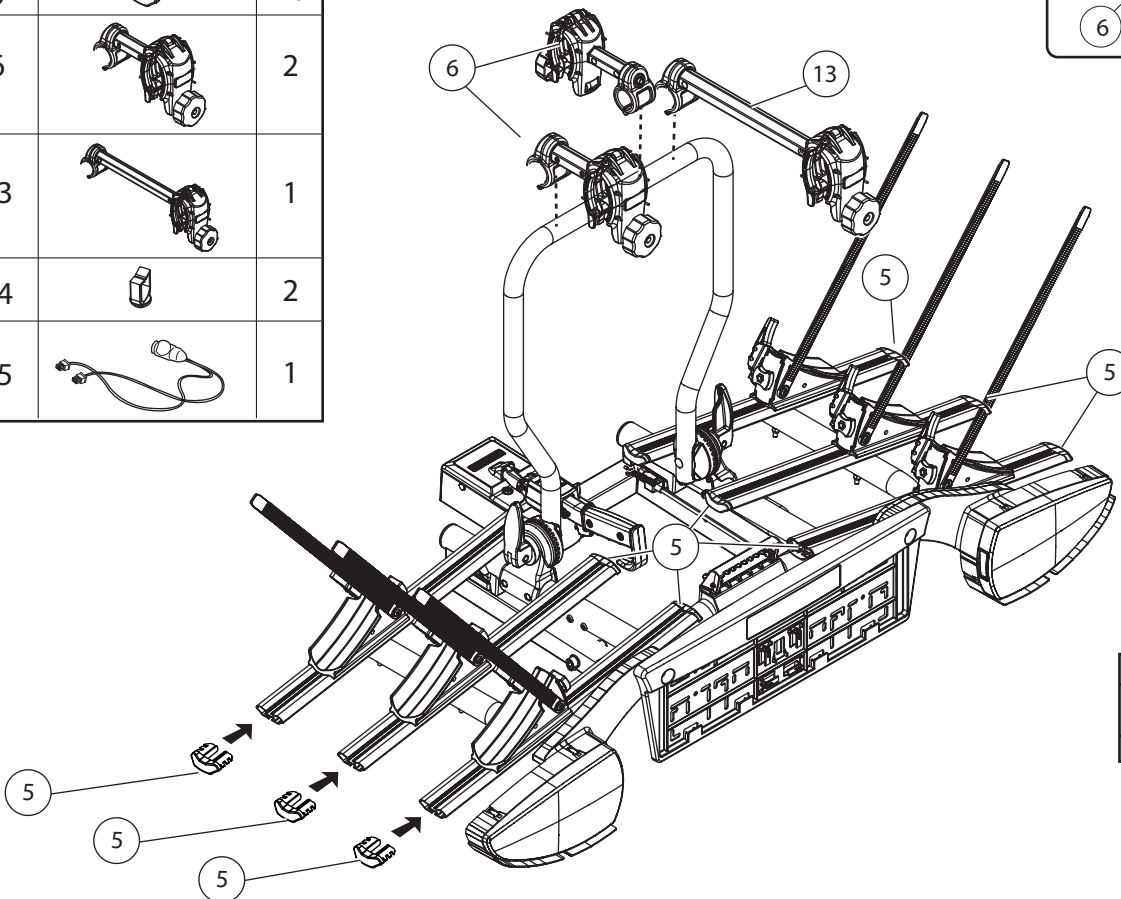
5 ● SIRIO

| N | | Q |
|----|--|---|
| 5 | | 6 |
| 6 | | 1 |
| 13 | | 1 |
| 14 | | 2 |
| 15 | | 1 |

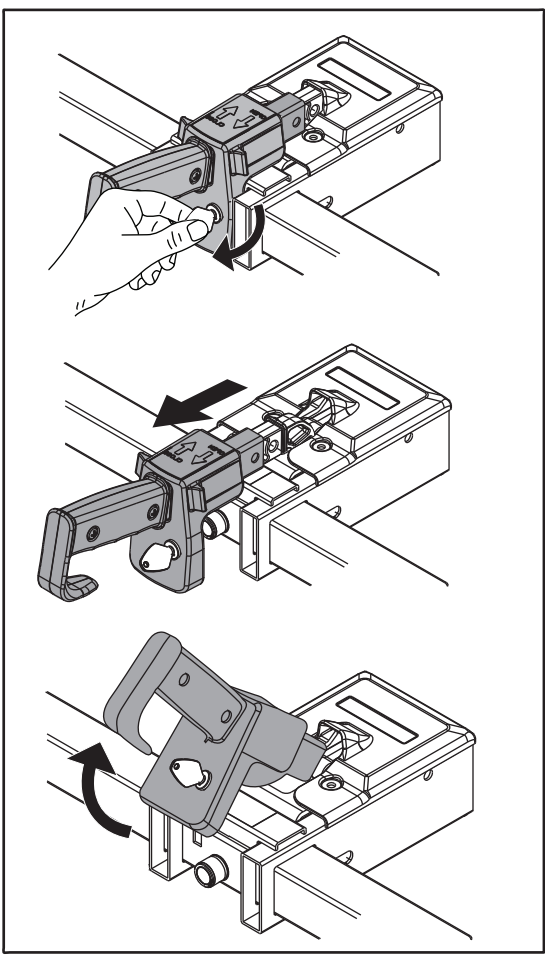
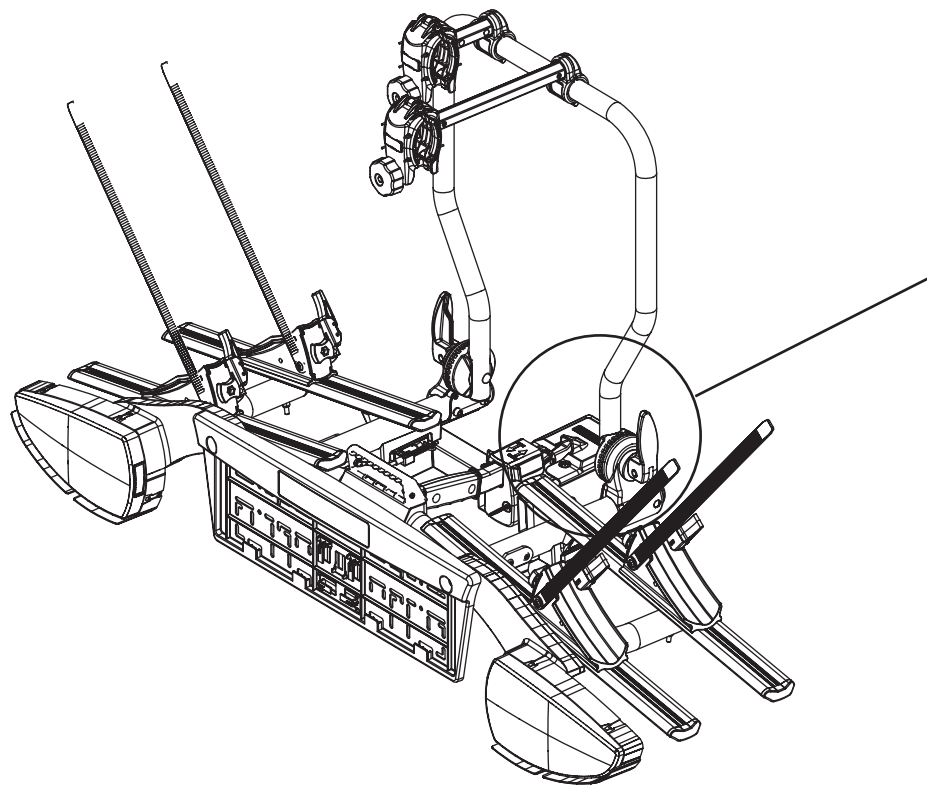


6 ●● SIRIO plus

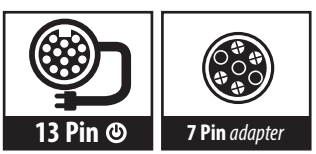
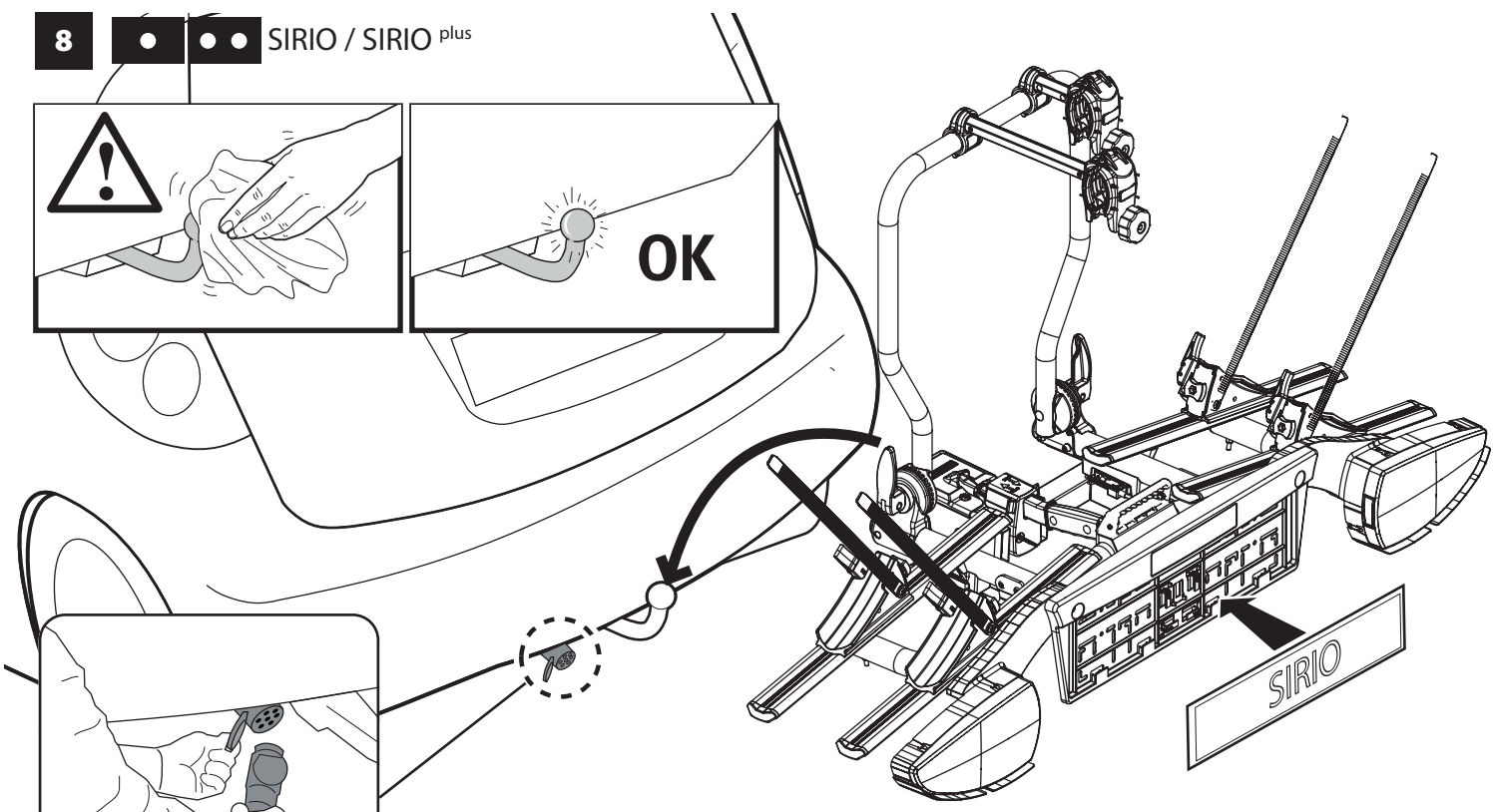
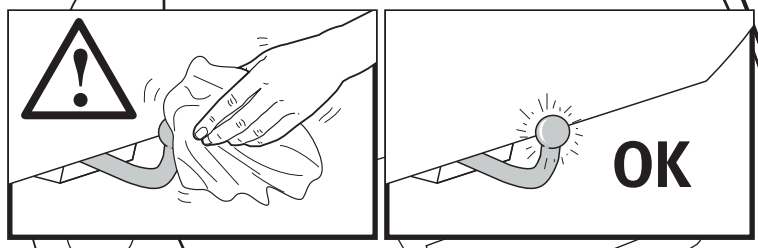
| N | | Q |
|----|--|----|
| 5 | | 10 |
| 6 | | 2 |
| 13 | | 1 |
| 14 | | 2 |
| 15 | | 1 |

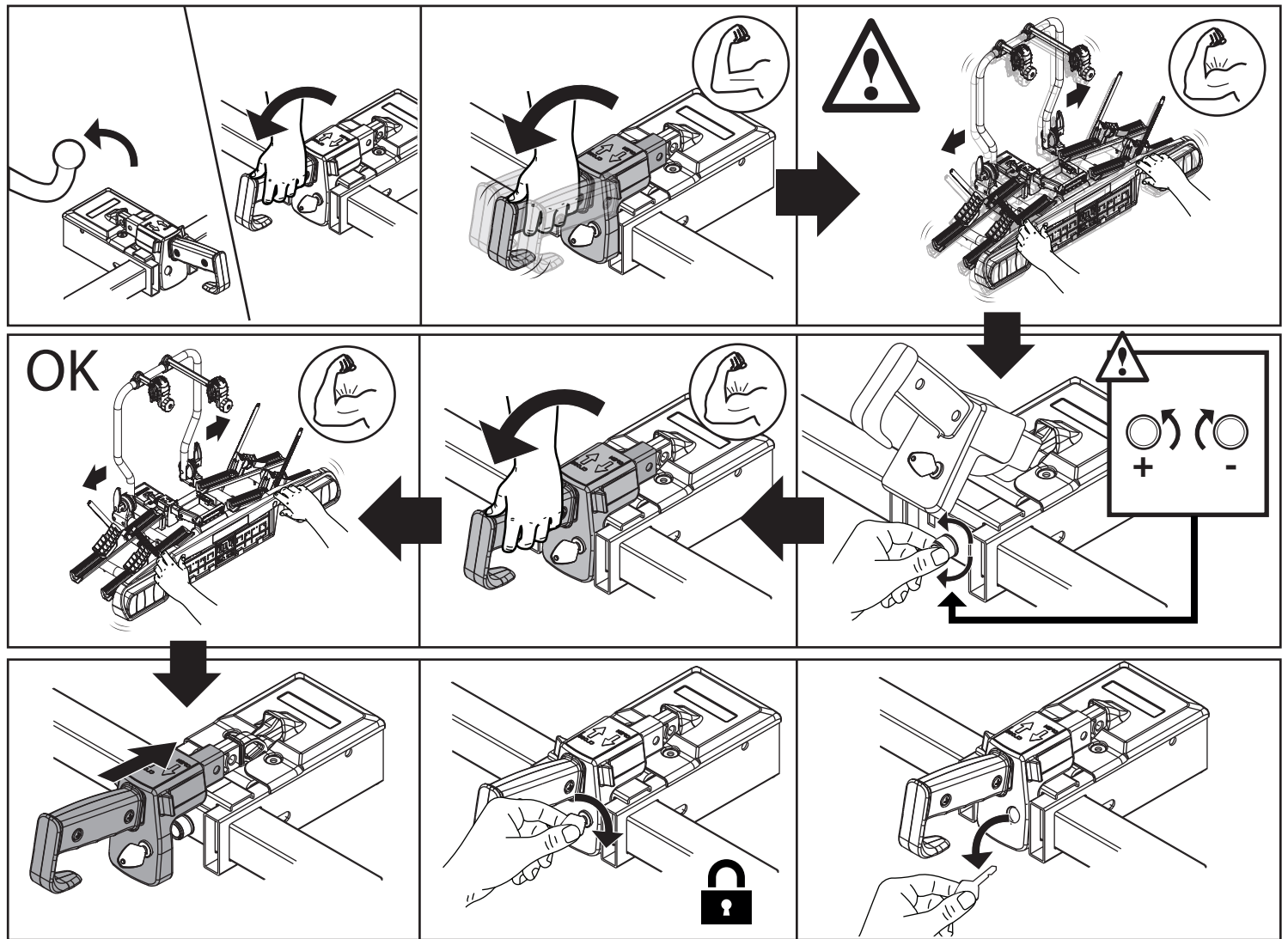


7 ● ● SIRIO / SIRIO plus





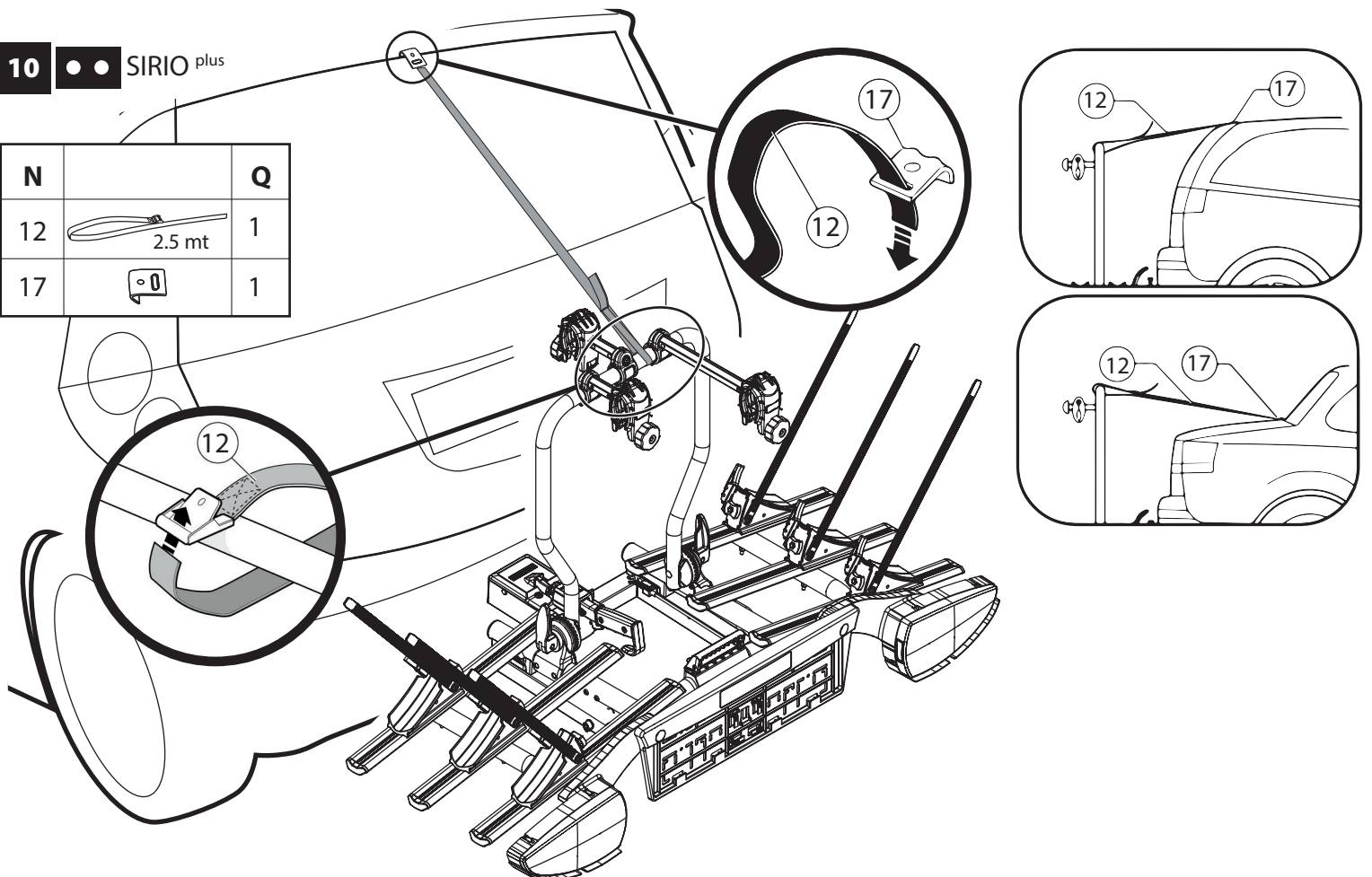
8 ● ● SIRIO / SIRIO plus



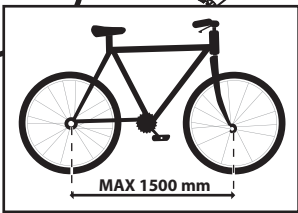
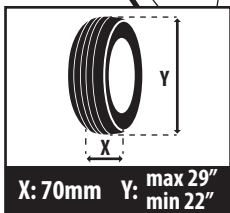
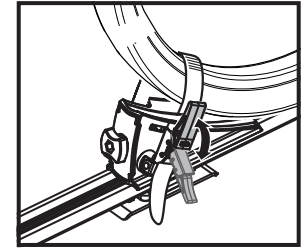
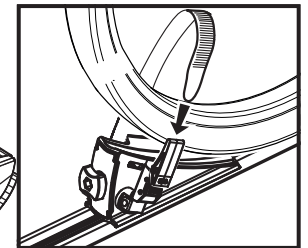
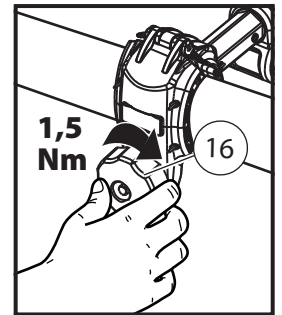
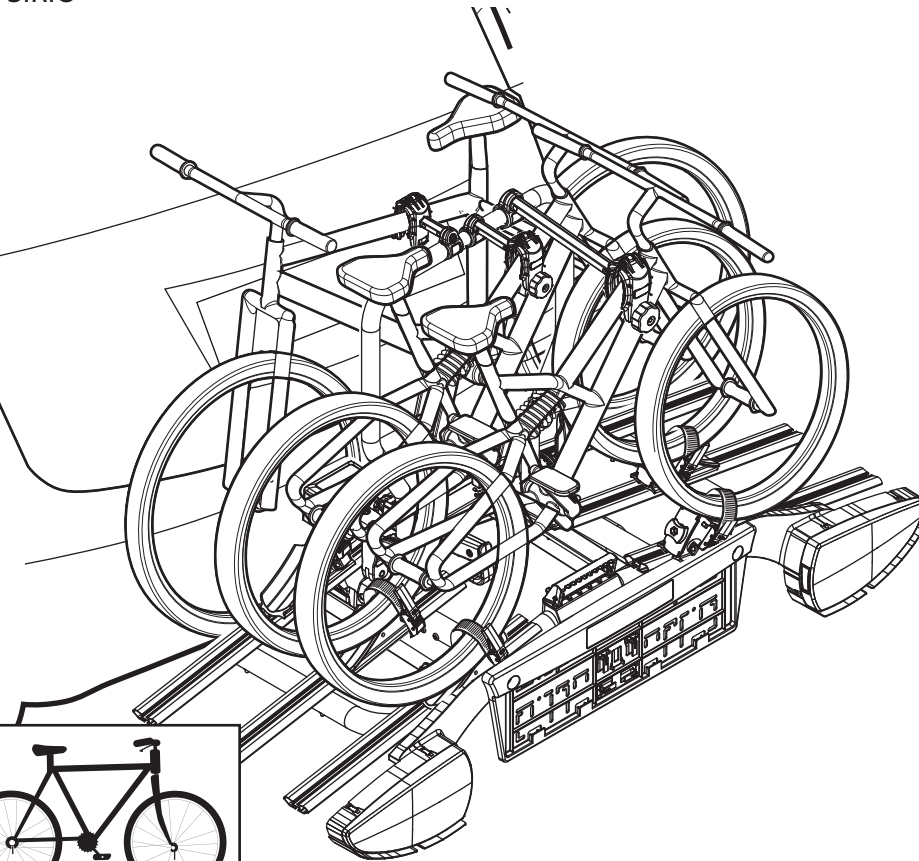
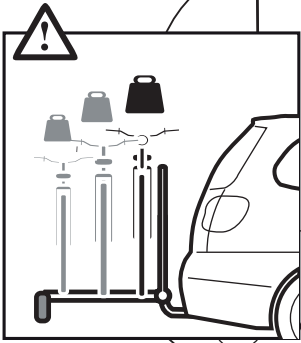


10 SIRIO plus

| N | | Q |
|----|--|---|
| 12 |  2.5 mt | 1 |
| 17 |  | 1 |




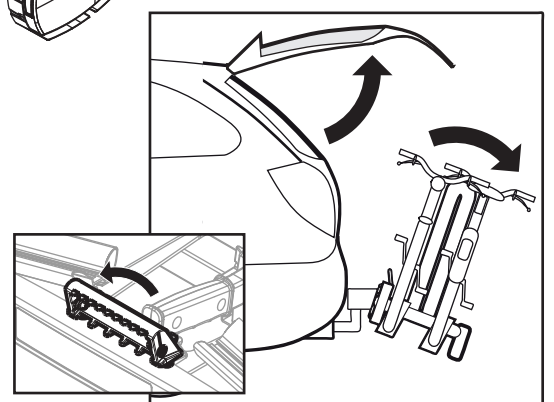
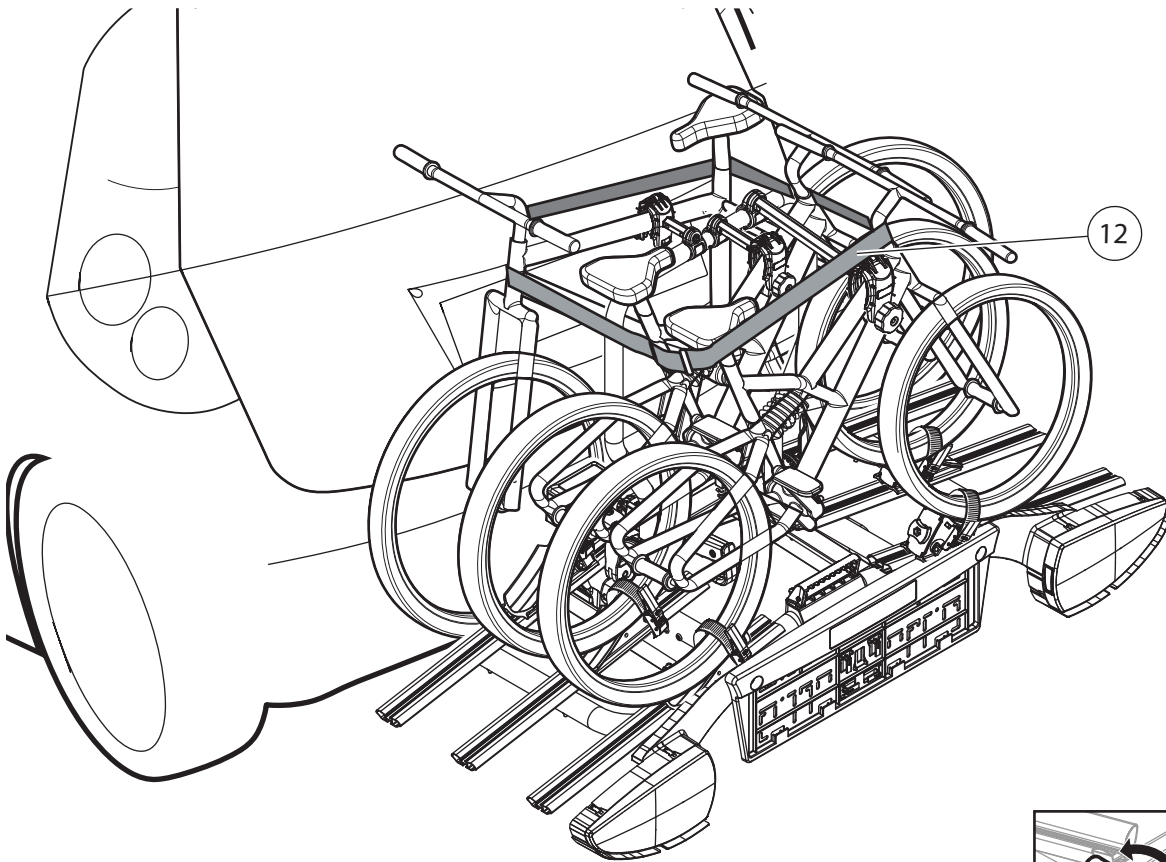
11 ● ● SIRIO / SIRIO plus

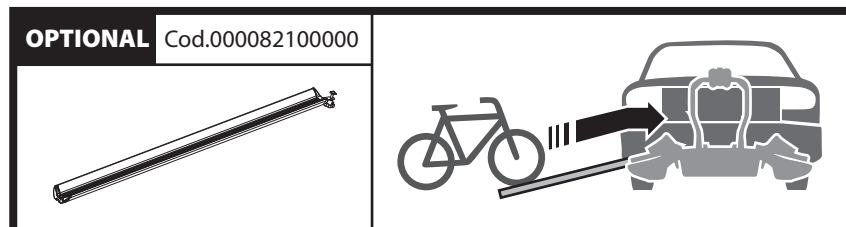
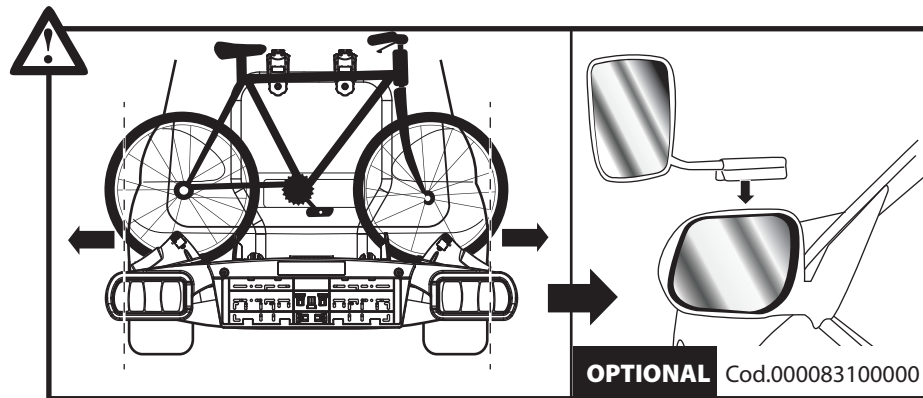
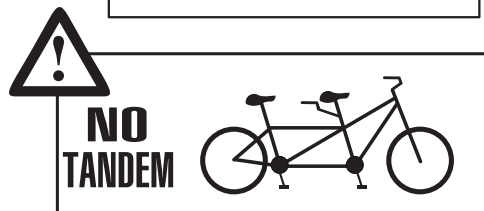
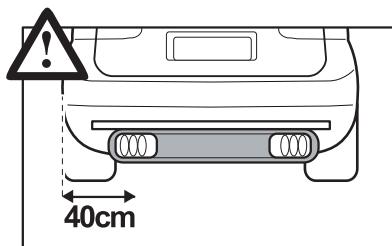
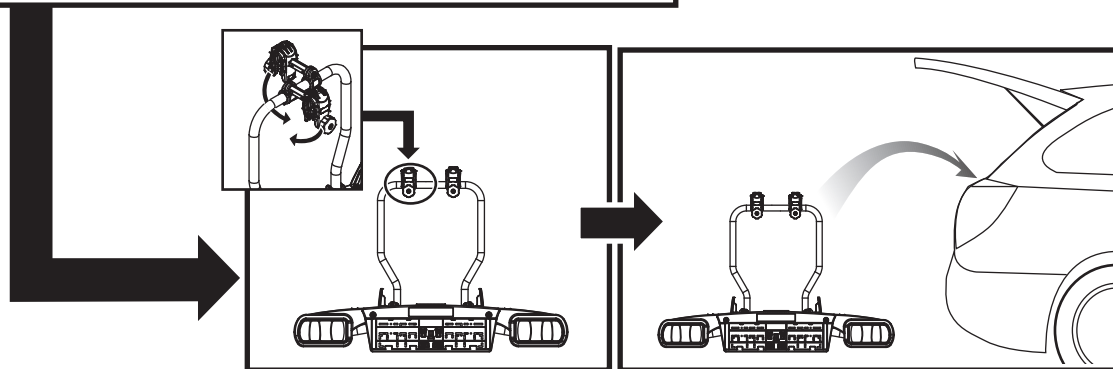
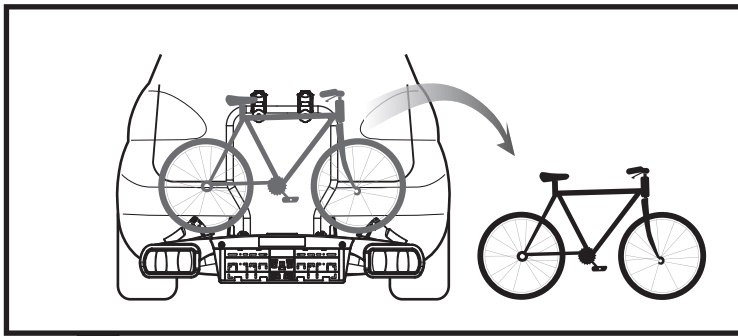


X: 70mm Y: max 29"
min 22"

12 ● ● SIRIO / SIRIO plus

| N | | Q |
|----|--|---|
| 12 |  MT 2,5 | 1 |

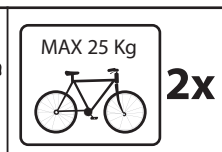




| |
|-------|
| 50kg |
| 60kg |
| >60kg |



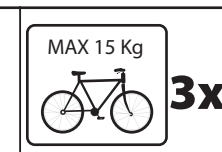
| |
|---------|
| 16,2 kg |
|---------|



| |
|-------------|
| MAX 33,8 kg |
| MAX 43,8 kg |
| MAX 50 kg |



| |
|---------|
| 18,4 kg |
|---------|



| |
|-------------|
| MAX 33,6 kg |
| MAX 43,6 kg |
| MAX 50 kg |

